



# **BR OIL TECH**

Made to Measure

*CE Certified  
BT-SFM - size*



## **SWIRL FLOW METER**

(Velocity Flow Meter)

---

[www.broiltech.com.au](http://www.broiltech.com.au)

# SWIRL FLOW METER

(Velocity Flow Meter)

## Technical Data Sheet (General Spec.)

|                              |                      |
|------------------------------|----------------------|
| Enclosure                    | : Aluminium / SS 316 |
| Rotor                        | : S S 316 / Tantalum |
| Repeatability                | : 0.02%              |
| Accuracy (standard position) | : 1% for Gas         |
| Fluid & Ambient temperature  | : -20 °C to 80 °C    |
| Connection                   | : Flange End         |

### Display with various Output

Power voltage : 24 V DC

#### Output signal

Retransmit : (4 ~ 20) mA / Pulse  
Communication : RS - 485 / HART Protocol / Alarm  
Relay : High & Low Flow

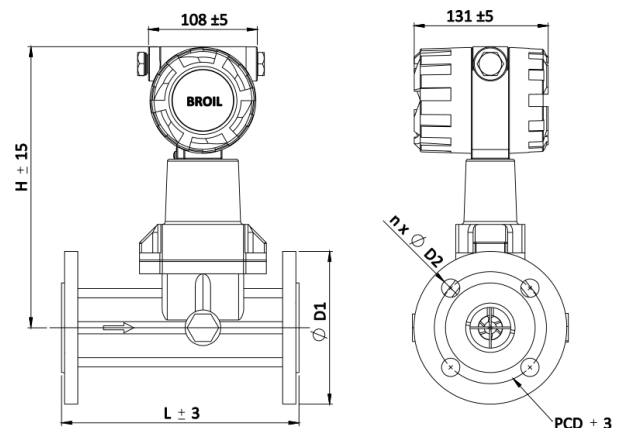
#### Battery operated meter

Power voltage : 3.6 V DC Lithium Batteries  
Display mode : Double row LCD as below  
Q X.XXXXX (Six Digit Instantaneous Flow (Nm<sup>3</sup>/h, Nm<sup>3</sup>/m, m<sup>3</sup>/h, m<sup>3</sup>/m, L/h, L/m, Kg/h, Kg/m, T/h, T/m)  
XXXX.XXXX (Eight Digit Cumulative Flow)  
Cumulative flow : Automatically expand the display precision. The cumulative flow values can be reset.  
Power-fail protection : The instrument coefficient ensures that total flow values for the past ten years are retained even in the event of a power supply drop.

#### Display Output (\*Please Check Display Manual)

##### Calculate pulse/liter at :

25%, 50%, 75% and 100% flow rate with air at atm or room pressure & temp



# SWIRL FLOW METER

(Velocity Flow Meter)

## Model Range

| Model No       | Line Size | Range (m <sup>3</sup> /H) |
|----------------|-----------|---------------------------|
| BT - SFM - 015 | ½"        | 0.3 ~ 12                  |
| BT - SFM - 020 | ¾"        | 1.2 ~ 15                  |
| BT - SFM - 025 | 1"        | 2.5 ~ 30                  |
| BT - SFM - 032 | 1¼"       | 4.5 ~ 60                  |
| BT - SFM - 040 | 1½"       | 7 ~ 70                    |
| BT - SFM - 050 | 2"        | 10 ~ 130                  |
| BT - SFM - 065 | 2½"       | 20 ~ 300                  |
| BT - SFM - 080 | 3"        | 30 ~ 400                  |
| BT - SFM - 100 | 4"        | 50 ~ 800                  |
| BT - SFM - 125 | 5"        | 80 ~ 1000                 |
| BT - SFM - 150 | 6"        | 190 ~ 2200                |
| BT - SFM - 200 | 8"        | 240 ~ 3600                |

at standard conditions STP (25 Deg. 0C, 1atm)



## FLANGE END DIMENSION

| Model No.  | L   | H   | D1  | n X D3 | PCD |
|------------|-----|-----|-----|--------|-----|
| BT-SFM-015 | 160 | 265 | 95  | 4 X 14 | 65  |
| BT-SFM-020 | 160 | 305 | 105 | 4 X 14 | 75  |
| BT-SFM-025 | 180 | 315 | 115 | 4 X 14 | 85  |
| BT-SFM-040 | 232 | 355 | 150 | 4 X 18 | 110 |
| BT-SFM-050 | 232 | 355 | 165 | 4 X 18 | 125 |
| BT-SFM-080 | 330 | 390 | 200 | 8 X 18 | 160 |
| BT-SFM-100 | 410 | 410 | 220 | 8 X 18 | 180 |
| BT-SFM-150 | 580 | 470 | 285 | 8 X 23 | 240 |

All the dimension in millimeter



***Global  
Solution  
for your  
measuring***



**BRÖIL TECH**

Made to Measure

Suite 17/32 Hulme Court,  
Myaree, WA 6154

[www.broiltech.com.au](http://www.broiltech.com.au)