



# **BR**IL TECH

Made to Measure

*CE Certified  
BT-TMFM - size*



## **THERMAL MASS**

(Velocity Flow Meter)

# THERMAL MASS

(Velocity Flow Meter)

## Technical Data Sheet (General Spec.)

Sensor Housing	: SS - 316 / Hastelloy / PTFE Coated
Velocity	: $\pm 0.1 \sim 100$ Nm/s
Accuracy (standard position)	: $\pm 1\%$
Fluid & Ambient temperature	: - 20 to 240 °C
Connection	: Insertion Type / Flange End

### Display with various Output

Power voltage : 24 V DC

#### Output signal

Retransmit : (4 ~ 20) mA / Pulse (programmable)

Communication : RS - 485 / HART Protocol / Alarm

Relay : High & Low Flow

#### Battery operated meter

Power voltage : 3.6 V DC Lithium Batteries

Display mode : Double row LCD as below  
Q X.XXXXXX (Six Digit Instantaneous Flow (Nm<sup>3</sup>/h,  
Nm<sup>3</sup>/m, Kg/h, Kg/m, t/h, t/m, L/h, L/m, SCFM)  
XXXX.XXXX (Eight Digit Cumulative Flow)

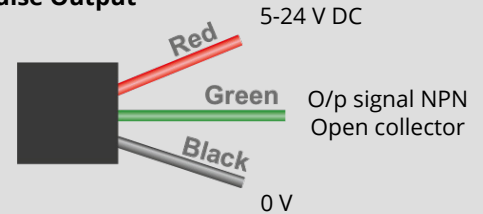
Cumulative flow : Automatically expand the display precision. The cumulative flow values can be reset.

Power-fail protection : The instrument coefficient ensures that total flow values for the past ten years are retained even in the event of a power supply drop.



### Electric Connection

#### Pulse Output



#### Display Output (\*Please Check Display Manual)

#### Calculate pulse/liter at :

25%, 50%, 75% and 100% flow rate with air at 25 °C



# THERMAL MASS

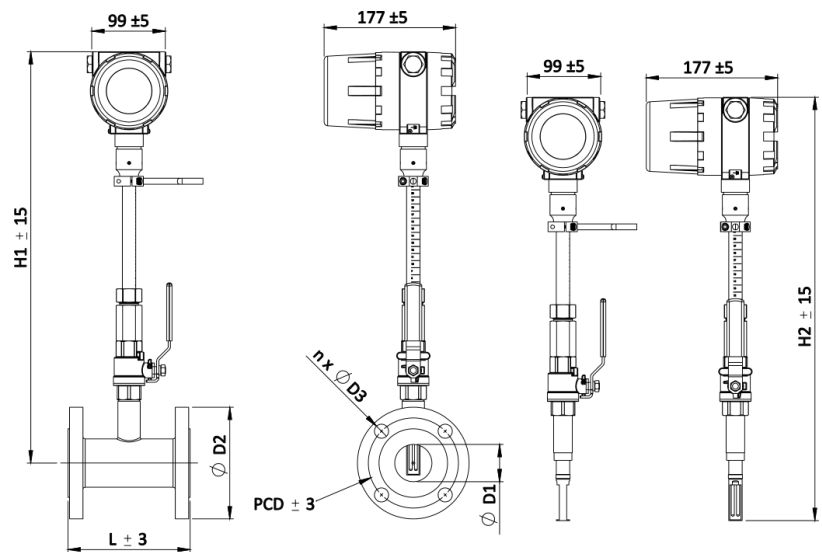
(Velocity Flow Meter)

Model Range	
Connection (f)	Flow rate maximum: Nm <sup>3</sup> /hour
15	65
25	175
32	290
40	450
50	700
65	1200
80	1800
100	2800
125	4400
150	6300
200	10000
250	17000
300	25000
400	45000
500	70000
600	100000
700	135000
800	180000
900	220000
1000	280000
1200	400000
1500	600000
2000	700000

FLANGE END DIMENSION							
Model No.	L	H1	H2	D1	D2	n X D3	PCD
BT-TMFM-025	130	437	440	24	110	4 X 16	79.4
BT-TMFM-040	170	434	440	38	125	4 X 16	98.4
BT-TMFM-050	170	435	440	50	150	4 X 19	120.7
BT-TMFM-065	200	443	440	65	180	4 X 19	139.7
BT-TMFM-080	230	568	570	76	190	4 X 19	152.4
BT-TMFM-100	260	570	570	100	230	8 X 19	190.5
BT-TMFM-125	300	583	570	125	255	8 X 22.3	215.9
BT-TMFM-150	300	595	570	150	280	8 X 22.3	241.3
BT-TMFM-200	360	620	570	200	345	8 X 22.3	298.5
BT-TMFM-250	370	645	570	250	405	12 X 25.4	362.0
BT-TMFM-300	400	670	570	300	485	12 X 25.4	431.8

"L" WILL BE CHANGE AS PER SPECIFIC REQUIREMENT

All the dimension in millimeter





***Global  
Solution  
for your  
measuring***



**BRÖIL TECH**

Made to Measure

Suite 17/32 Hulme Court,  
Myaree, WA 6154

[www.broiltech.com.au](http://www.broiltech.com.au)