



BR **IL TECH**

Made to Measure

*CE Certified
BT-DTFS - size*



TURBINE ROTOR FLOW METER

Velocity Flow Meter

TURBINE ROTOR FLOW METER

(Velocity Flow Meter)

Technical Data Sheet (General Spec.)

Enclosure	: SS - 304 / SS - 316 / on request
Rotor	: Cd4mCu / SS410 with Teflon coating
Shaft & Bush	: Hard Carbon
Repeatability	: 0.2%
Accuracy (standard position)	: ± 0.5 or 1% FSD
Maximum working pressure	: 60 Bar / 300 Bar
Fluid & Ambient temperature	: -20° to 120° ~ 180° C
Connection	: Thread (M) / Sandwich Flange / Tc End



Display with various Output

Power voltage : 24 V DC

Output signal

Retransmit : (4 ~ 20) mA / Pulse (programmable)
 Communication : RS - 485 / HART Protocol
 Relay : High & Low Flow

Battery operated meter

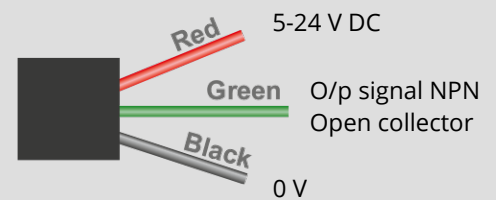
Power voltage : 3.6 V DC Lithium Batteries
 Display mode : Double row LCD as below
 Q X.XXXXX (Six Digit Instantaneous Flow
 (m³/h, L/h, L/M, m³/M, m³/h, L/h, kg/M, GPM, T/h, kg/h)
 XXXX.XXXX (Eight Digit Cumulative Flow)

Cumulative flow : Automatically expand the display precision.
 The cumulative flow values can be reset.

Power-fail protection : The instrument coefficient ensures that
 total flow values for the past ten years are
 retained even in the event of a power
 supply drop.

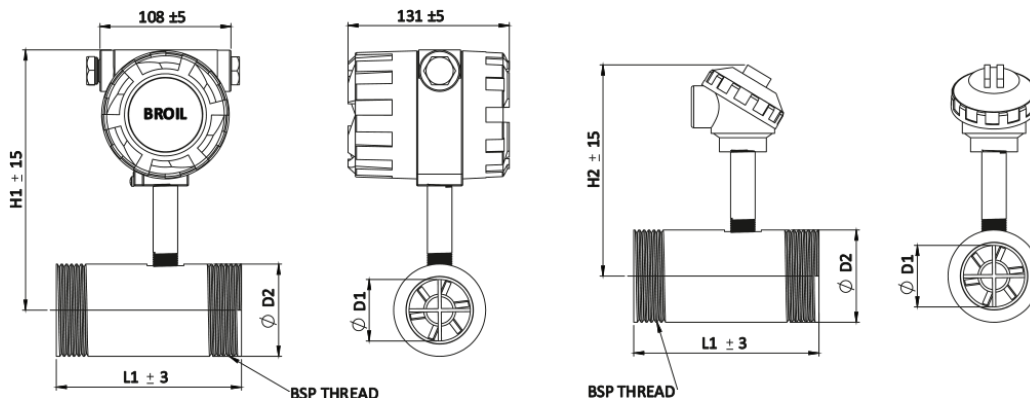
ELECTRIC CONNECTION

Pulse Output:



Display Output (*Please Check Display Manual)

Calculate pulse/liter at :
 25%, 50%, 75% and 100% flow rate with
 pure water at 25 °C



TURBINE ROTOR FLOW METER

(Velocity Flow Meter)

THREAD END DIMENSION

Model No	THREAD CONNECTION	L1	H1	H2	D1	D2
BT-DTFS - 006	½" BSP	225	183	150	06	34
BT-DTFS - 009	½" BSP	350	185	152	10	34
BT-DTFS - 012	¾" BSP	75	187	154	14	38
BT-DTFS - 020	1" BSP	91	190	157	20	38
BT-DTFS - 025	1 ¼" BSP	130	193	160	25	46
BT-DTFS - 032	1 ½" BSP	140	196	163	32	55
BT-DTFS - 040	2" BSP	170	200	168	40	62

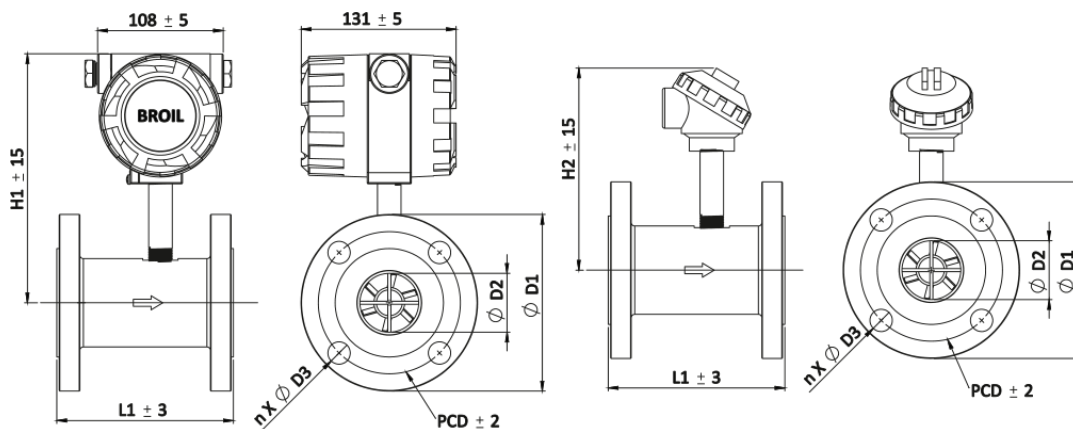
All the dimension in millimeter



T/C END DIMENSION

Model No	L1	D1	D2	H1	H2
BT-DTFS - 009	80	50.5	10	185	152
BT-DTFS - 012	75	50.5	14	187	154
BT-DTFS - 020	91	50.5	20	190	157
BT-DTFS - 025	130	50.5	25	193	160
BT-DTFS - 032	140	65.0	40	200	167
BT-DTFS - 040	170	65.0	50	205	172

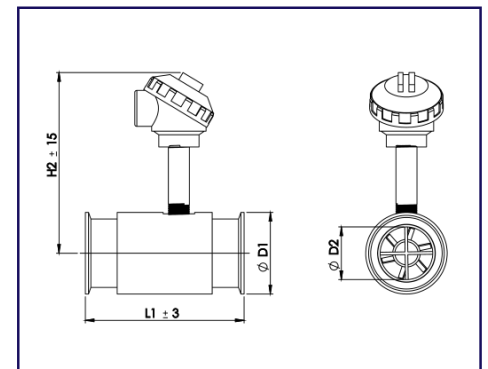
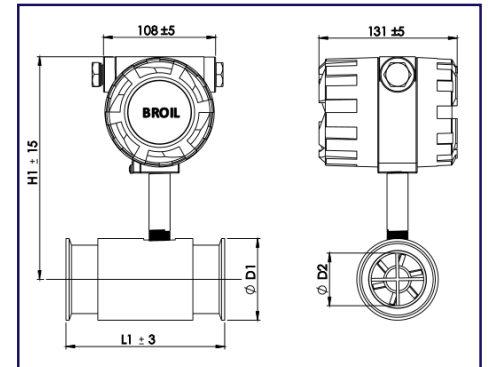
All the dimension in millimeter



TURBINE ROTOR FLOW METER

(Velocity Flow Meter)

Model Range			
Model No	Line Size	Range	Liter / Pulse
BT-DTFS - 006	6 mm	40 ~ 400 L/H	0.000095
BT-DTFS - 009	9 mm	200 ~ 2000 L/H	0.000571
BT-DTFS - 012	12 mm	400 ~ 4000 L/H	0.001219
BT-DTFS - 020	20 mm	800 ~ 8000 L/H	0.002544
BT-DTFS - 025	25 mm	1000 ~ 10000 L/H	0.004629
BT-DTFS - 032	32 mm	1500 ~ 15000 L/H	0.00740
BT-DTFS - 040	40 mm	2000 ~ 20000 L/H	0.01250
BT-DTFS - 050	50 mm	4000 ~ 40000 L/H	0.03571
BT-DTFS - 080	80 mm	10000 ~ 100000 L/H	0.14705
BT-DTFS - 100	100 mm	20000 ~ 200000 L/H	0.23809
BT-DTFS - 150	150 mm	30000 ~ 300000 L/H	0.33222
BT-DTFS - 200	200 mm	40000 ~ 400000 L/H	0.45454



FLANGE END DIMENSION							
Model No	L1	H1	H2	D1	D2	D3	PCD
BT-DTFS - 009	80	185	152	10	90	4 X 16	60.3
BT-DTFS - 012	75	187	154	14	90	4 X 16	60.3
BT-DTFS - 020	91	190	157	20	100	4 X 16	69.9
BT-DTFS - 025	130	193	160	25	110	4 X 16	79.4
BT-DTFS - 032	140	196	163	32	115	4 X 16	88.9
BT-DTFS - 040	170	200	167	40	125	4 X 16	98.4
BT-DTFS - 050	170	205	172	50	150	4 X 19	120.7
BT-DTFS - 080	200	220	187	79	190	4 X 19	152.4
BT-DTFS - 100	220	230	197	100	230	8 X 19	190.5
BT-DTFS - 150	300	255	222	150	280	8 X 22.3	241.3
BT-DTFS - 200	360	280	247	200	345	8 X 22.3	298.5

All the dimension in millimeter



***Global
Solution
for your
measuring***



BRÖIL TECH

Made to Measure

Suite 17/32 Hulme Court,
Myaree, WA 6154

www.broiltech.com.au