



BROILTECH

Made to Measure

CE Certified
BT-DOFS - size



OVAL GEAR FLOW SENSOR & METER (Positive Displacement Meter)

OVAL GEAR FLOW SENSOR & METER

(positive displacement meter)

Technical Data Sheet (General Spec.)

Enclosure	: Aluminum / SS-304 / SS-316 / CAST IRON
Rotor	: Aluminum / SS-316 / PPS
Shaft	: Hard Stainless Steel-316
Repeatability	: 0.01%
Accuracy (standard installation position)	: $\pm 0.5\%$ Rs / 0.15% FSD
Maximum working pressure	: 5 mpa for Al, 30 mpa for SS
Fluid & Ambient temperature	: -20° to 150°C
Connection	: Thread (M/F) or Flange
O-ring	: NBR/Viton
Power voltage	: Battery operated



Pulse output sensor

Power voltage	: 5 / 12 / 24 V DC
Output signal	: NPN/PNP open Collector or Proxy Sensor
High electric level	: High than 8 VDC (input voltage 12 VDC)
Low electric level	: Lower than 0.8 VDC (input voltage 12 VDC)

Display with various Output

Power voltage	: 24 V DC
Output signal	
Retransmit	: 4 to 20 mA / Pulse (programmable)
Communication	: RS - 485 / HART Protocol
Relay	: High & Low Flow

Battery operated meter

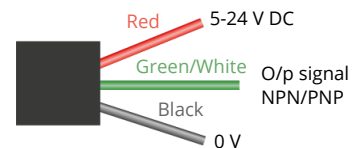
Power voltage	: 3.6 V DC Lithium Batteries
Display mode	: Double row LCD as below Q X.XXXXX (Six Digit Instantaneous Flow (m ³ /h, L/h, L/M, m ³ /M, m ³ /h, L/h, kg/M, GPM, T/h, kg/h) XXXX.XXXX (Eight Digit Cumulative Flow)
Cumulative flow	: Automatically expand the display precision
Power-fail protection	: The instrument coefficient ensures that total flow values for the past ten years are retained even in the event of a power supply drop.

Mechanical Type Meter

Mode	: Resettable counter - 9999 Ltr Max Non Resettable counter - 99999 x 100 Ltr Max
Type	: Cumulative Total + Resettable Counter Cumulative Total + Resettable Counter + Pulse

Electric Connection

Pulse Output



Display Output (*Please Check Display Manual)

Calculate pulse/liter at :

25%, 50%, 75% and 100% flow rate
with pure diesel at 25 °C

OVAL GEAR FLOW SENSOR & METER

(positive displacement flow meter)

Model Range

Model No	Line Size	Range	Litter/Pulse
BT-DOFS - 004	4 mm	0.5 ~ 60 L/H	0.000363
BT-DOFS - 006	6 mm	5 ~ 150 L/H	0.000714
BT-DOFS - 008	8 mm	20 ~ 300 L/H	0.00240
BT-DOFS - 012	12 mm	50 ~ 1200 L/H	0.00240
BT-DOFS - 020	20 mm	150 ~ 2000 L/H	0.0156
BT-DOFS - 025	25 mm	200 ~ 4000 L/H	0.0208
BT-DOFS - 040	40 mm	400 ~ 10000 L/H	0.1428
BT-DOFS - 050	50 mm	600 ~ 20000 L/H	0.1818
BT-DOFS - 080	80 mm	1000 ~ 50000 L/H	0.333
BT-DOFS - 100	100 mm	2000 ~ 100000 L/H	1.0
BT-DOFS - 150	150 mm	5000 ~ 150000 L/H	3.2

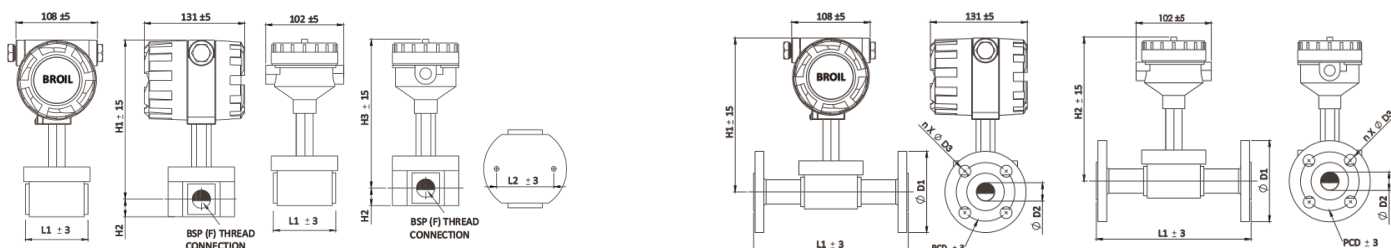


For all the models double pulse are available

Flange End Dimension

Model No.	L1	H1	H2	D1	D2	n x D3	PCD
BT-DOFS - 012	180	197	174	90	15.5	4 X 16	60.3
BT-DOFS - 020	185	205	182	100	19.5	4 X 16	69.9
BT-DOFS - 025	263	202	179	110	24.5	4 X 16	79.4
BT-DOFS - 040	317	222	199	125	34.5	4 X 16	98.4
BT-DOFS - 050	419	239	216	150	45.0	4 X 19	120.7
BT-DOFS - 080	415	240	217	190	78.0	4 X 19	152.4

All the dimension in millimeter



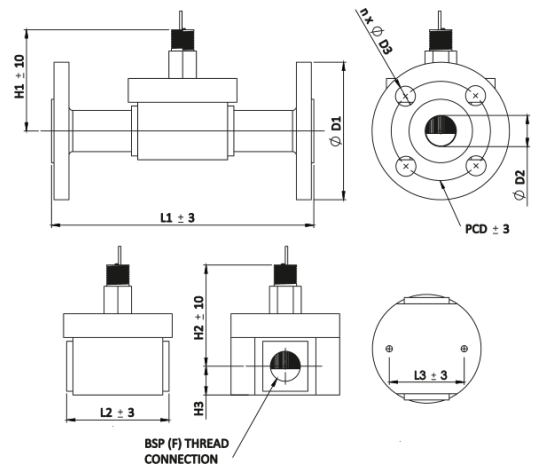
OVAL GEAR FLOW SENSOR & METER

(positive displacement meter)

Thread End Dimension

Model No.	D1	L1	L2	H1	H2	H3
BT-DOFS - 004	1/4"	60	50 X M 5	NA	14.5	172
BT-DOFS - 006	1/4"	60	50 X M 5	NA	20.5	166
BT-DOFS - 008	3/8"	68	60 X M 5	194	21.0	171
BT-DOFS - 012	1/2"	78	60 X M 5	197	25.5	174
BT-DOFS - 020	3/4"	82	75 X M 5	205	23.0	182
BT-DOFS - 025	1"	103	95 X M 5	202	32.0	179
BT-DOFS - 040	1 1/2"	127	120 X M 8	222	40.0	199
BT-DOFS - 050	2"	187	175 X M 8	239	56.0	216
BT-DOFS - 080	3"	205	200 X M 8	240	58.0	217

All the dimension in millimeter

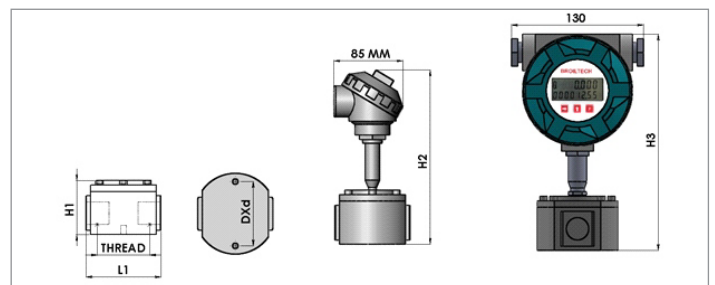
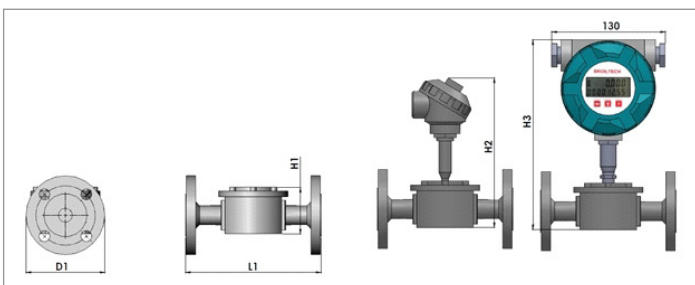


Proxy sensor with Thread & Flange end dimension

Model No.	CON. (BSP - F)	L1	L2	H1, H2	H3	L3	D1	D2	n x D3	PCD
BT-DOFS - 004	1/4"	NA	60	71	14.5	50 X M 5	NA	NA	NA	NA
BT-DOFS - 006	1/4"	NA	60	65	20.5	50 X M 5	NA	NA	NA	NA
BT-DOFS - 008	3/8"	NA	68	70	21.0	60 X M 5	NA	NA	NA	NA
BT-DOFS - 012	1/2"	180	78	73	25.5	60 X M 5	90	15.5	4 X 16	60.3
BT-DOFS - 020	3/4"	185	82	81	23.0	75 X M 5	100	19.5	4 X 16	69.9
BT-DOFS - 025	1"	263	103	78	32.0	95 X M 5	110	24.5	4 X 16	79.4
BT-DOFS - 040	1 1/2"	317	127	98	40.0	120 X M 8	125	34.5	4 X 16	98.4
BT-DOFS - 050	2"	419	187	115	56.0	175 X M 8	150	45.0	4 X 19	120.4
BT-DOFS - 080	3"	415	205	116	58.0	200 X M 8	190	78.0	4 X 19	152.4

CON. = Connection

All the dimension in millimeter





***Global
Solution
for your
measuring***



BRÖIL TECH

Made to Measure

Suite 17/32 Hulme Court,
Myaree, WA 6154

www.broiltech.com.au