



BROILTECH

Made to Measure

CE Certified
BT-PHTFS - size



PLASTIC HELICAL ROTOR

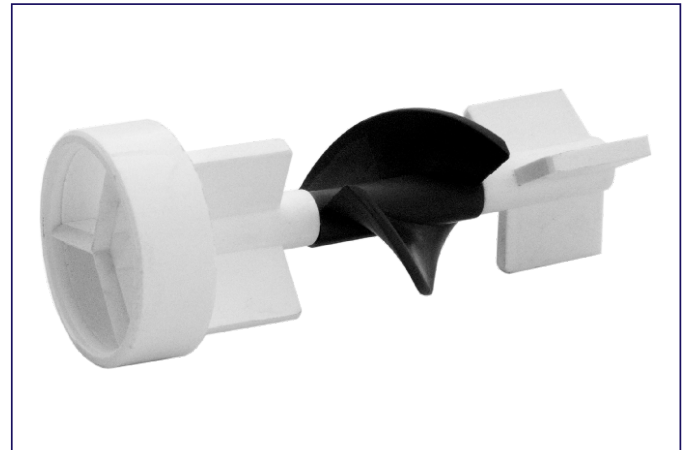
(Positive Displacement Flow Meter)

PLASTIC HELICAL ROTOR

(Positive Displacement Flow Meter)

Technical Data Sheet (General Spec.)

Enclosure	: Pa66 + GF / PPS
Rotor	: Pa66 / POM / PPS
Shaft & Ball	: Hard SS - 316
Repeatability	: 0.25%
Accuracy (standard position)	: 2% FSD
Maximum working pressure	: 0.25 MPa
Fluid & Ambient temperature	: -20 ~ 80°C
Connection	: Thread (M)



Output Sensor

A) Hall sensor

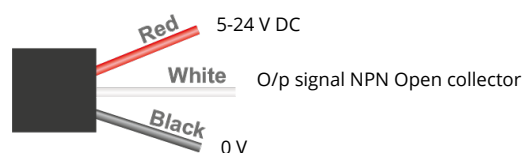
Power voltage	: 5 to 24 V DC, Low range 2 to 5 V DC
Output Signal	: NPN open collector
High Electric Level	: High than 4.5 V DC (input 12 Vdc)
Low Electric Level	: Lower than 0.5 V DC (input 12 Vdc)

B) Reed sensor

C) Pick up coil : 2 wire/ amplified 3 wire option

Electric Connection

Pulse Output



Display Output (*Please Check Display Manual)

Calculate pulse/liter at :

25%, 50%, 75% & 100% flow rate with pure Water at atm or room temp

Display with various Output

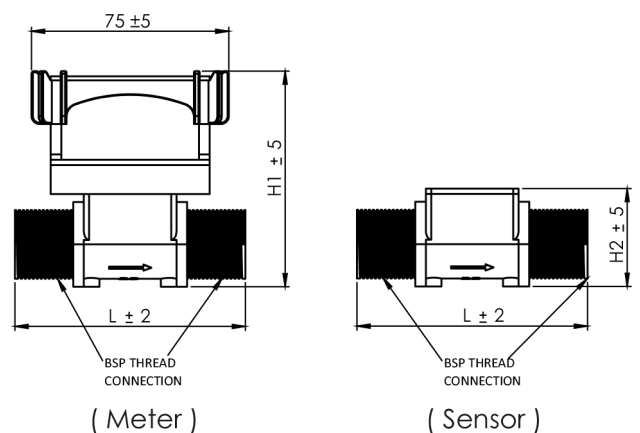
Output signal

Retransmit : (4 ~ 20) mA

Battery operated meter

Power voltage	: 3.0 V DC Alkaline Batteries
Display mode	: Double row LCD as below Q X.XXX (Four Digit Instantaneous Flow (LPM, GPM)) XXXX.XX (Six Digit Cumulative Flow) XXXX.XX * 100 (Eight cumulative Flow L) XXXX.XX * 100 (Eight cumulative Flow L (never reset total))

Cumulative flow : Automatically expand the display precision. The cumulative flow values can be reset.

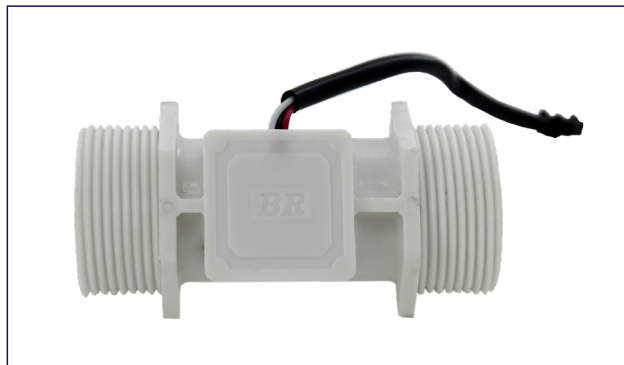


PLASTIC HELICAL ROTOR

(Positive Displacement Flow Meter)

THREAD END DIMENSION

Model No.	L1	Thread (BSP)	D1	n X D3
BT-PHTFS - 004	61 mm	¼"	74 mm	27 mm
BT-PHTFS - 008	70 mm	½"	80 mm	33 mm
BT-PHTFS - 012	87 mm	¾"	83 mm	36 mm
BT-PHTFS - 020	95 mm	1"	88 mm	41 mm
BT-PHTFS - 025	101 mm	1 ¼"	96 mm	49 mm



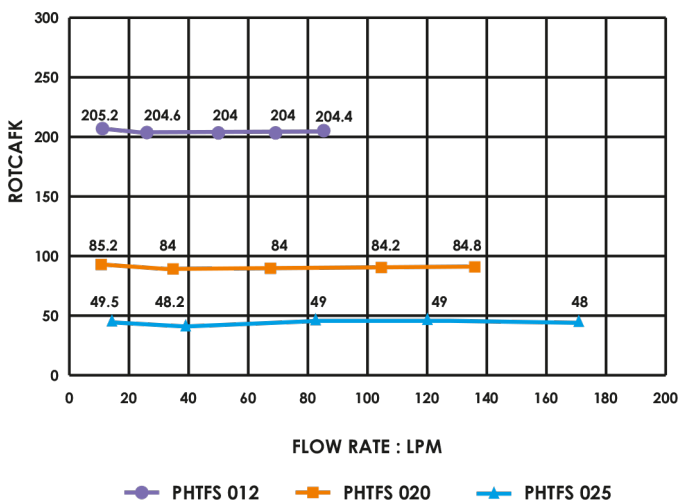
Model Range

Model No	Connection (M)	Range	Litter/Pulse
BT-PHTFS - 004	¼" BSP	40 ~ 400 L/H	0.000285
BT-PHTFS - 008	½" BSP	150 ~ 1500 L/H	0.001063
BT-PHTFS - 012	¾" BSP	500 ~ 5000 L/H	0.004901
BT-PHTFS - 020	1" BSP	800 ~ 8000 L/H	0.012195
BT-PHTFS - 025	1 ¼" BSP	1000 ~ 10000 L/H	0.020833

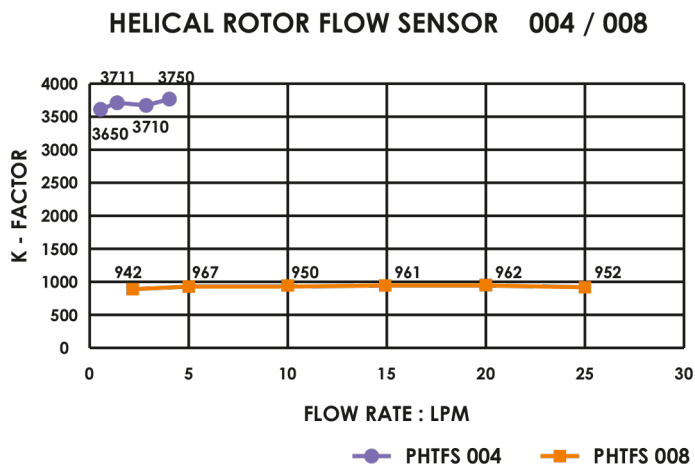


Warning / Caution : Never test Flow Sensor with compress air its damage rotor and Shaft

Helical Rotor Flow Sensor 012 / 020 / 025



Helical Rotor Flow Sensor 004 / 008





***Global
Solution
for your
measuring***



BRÖIL TECH

Made to Measure

Suite 17/32 Hulme Court,
Myaree, WA 6154

www.broiltech.com.au